



FARM EQUIPMENT

DEARBORN

CULTIVATORS

FIELD CULTIVATOR

(Models 10-95, 10-95A, 10-95B & 10-95C)

RIGID & SPRING SHANK CULTIVATORS

(Models 13-1, 13-2 & 13-2A)

**RIGID & SPRING SHANK FRONT END
CULTIVATOR ATTACHMENTS**

(Models 13-3 & 13-4)

**GROUND ENGAGING PARTS FOR CULTIVATORS
AND**

ROTARY HOE

MODEL 13-10

WEEDERS

MODEL 13-5 & 13-9

MASTER PARTS BOOK



MAY 1949

DEARBORN MOTORS CORPORATION - DETROIT 3, MICHIGAN

DEARBORN FOUR ROW *Weeders*

MODEL 13-5 and 13-9

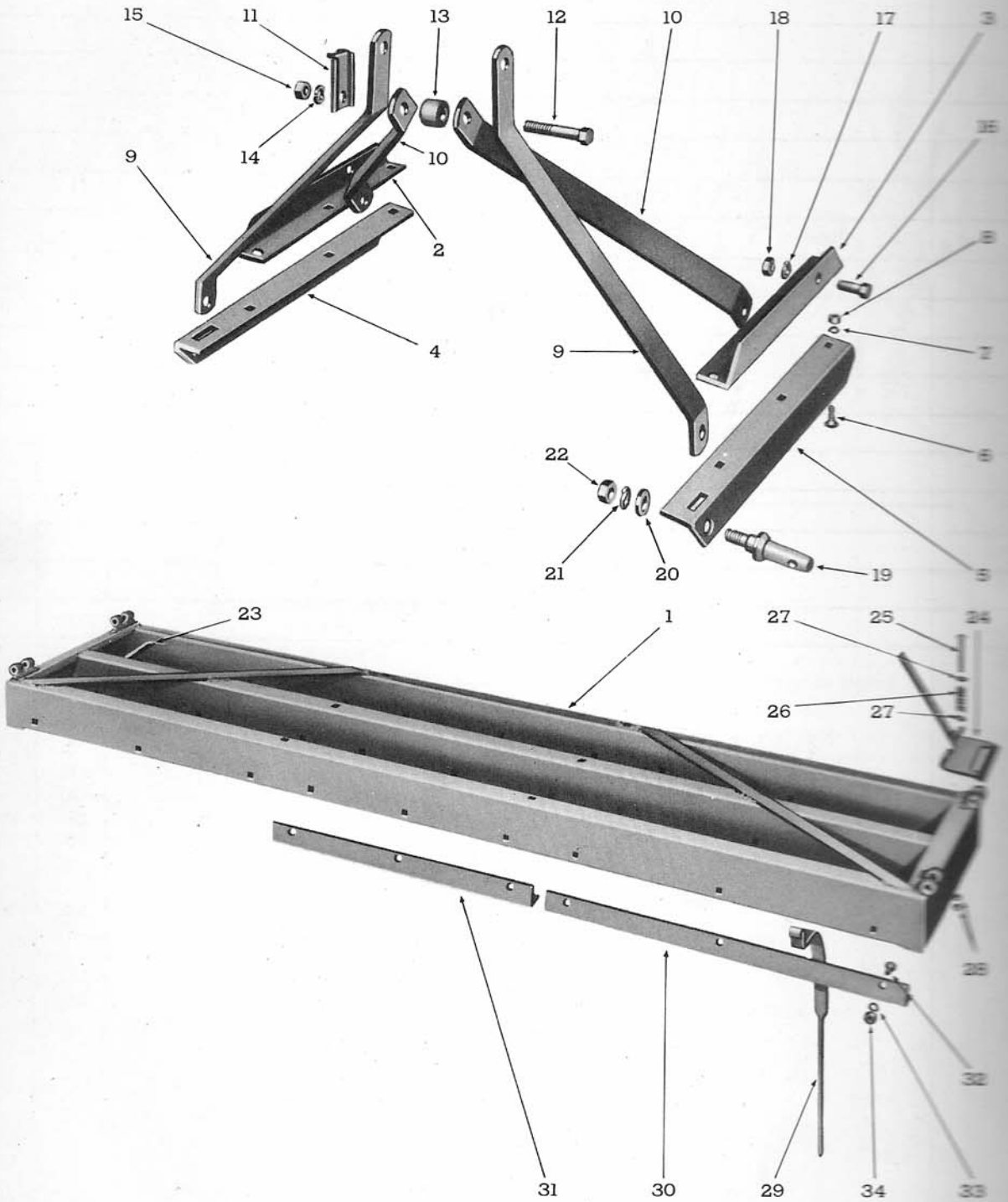


Figure 26 - Center Frame Assembly

DEARBORN FOUR ROW *Weeders*

MODEL 13-5 and 13-9

Group 5—DEARBORN FOUR ROW WEEDERS (Lift Type) Models 13-5 and 13-9

FIG. 26	PART NO.	NAME AND DESCRIPTION	QTY. REQ.	
			13-5	13-9
Group 5-1—CENTER FRAME ASSEMBLY				
1	131571	FRAME, Center (Welded Assembly)	-	1
-	131101	FRAME, Center (Welded Assembly)	1	-
2	131106	BRACE, Top, Right	1	1
3	131107	BRACE, Top, Left	1	1
4	131108	BRACE, Bottom, Right	1	1
5	131109	BRACE, Bottom, Left	1	1
6	23395-S7-8	BOLT, 3/8" - 16 x 7/8" Carr. }		
7	34807-S7-8	LOCKWASHER, 3/8" } Brace to Frame	12	12
8	300014	NUT, 3/8" - 16 Hex. }		
9	131115	STRUT, Front	2	2
10	131116	STRUT, Rear	2	2
11	131118	LOCATOR, Linch Pin	1	1
12	21185-S7-8	BOLT, 5/8" - 18 x 3.4" Hex. Hd. }		
13	131117	SPACER } Front to Rear Strut	1	1
14	34811-S7-8	LOCKWASHER, 5/8" }		
15	33850-S7-8	NUT, 5/8" - 18 Hex. }		
16	22175-S7-8	BOLT, 5/8" - 18 x 1-1/2" Hex. Hd. }		
17	34811-S7-8	LOCKWASHER, 5/8" } Rear Strut to Top Brace	2	2
18	33850-S7-8	NUT, 5/8" - 18 Hex. }		
19	131127	PIN, Link }		
20	131128	SPACER } Front Strut to Bottom Brace	2	2
21	34811-S7-8	LOCKWASHER, 5/8" }		
22	33850-S7-8	NUT, 5/8" - 18 Hex. }		
23	131119	PLATE and LEVER, Lock, Right (Welded Assembly)	1	1
24	131120	PLATE and LEVER, Lock, Left (Welded Assembly)	1	1
25	300015	BOLT, 3/8" - 16 x 3" Hex. Hd. }		
26	131123	SPRING } Lock Plate and Lever Assembly	2	2
27	34707-S7-8	WASHER, 3/8" Flat } to Center Frame	2	2
28	300016	NUT, 3/8" - 16 Hex. Jam }	4	4
29	131129	TOOTH, Weeder	38	38
30	131124	ANGLE, Tooth Clamping, Long	6	6
31	131125	ANGLE, Tooth Clamping, Short	3	3
32	23395-S7-8	BOLT, 3/8" - 16 x 7/8" Carr. }		
33	34807-S7-8	LOCKWASHER, 3/8" } Angle and Tooth to Center Frame . . .	30	36
34	300014	NUT, 3/8" - 16 Hex. }		

DEARBORN FOUR ROW *Weeders*

MODEL 13-5 and 13-9

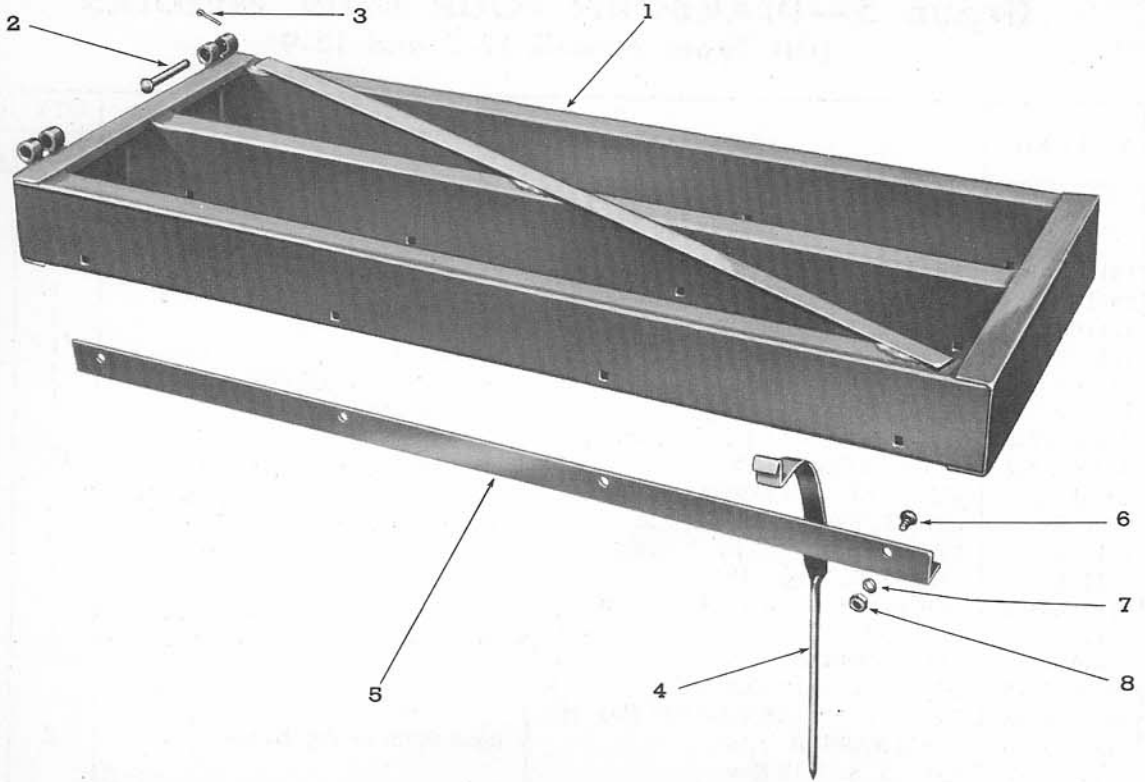


Figure 27 - End Frame Assembly

FIG. 27	PART NO.	NAME AND DESCRIPTION	QTY. REQ.	
			13-5	13-9
Group 5-2—END FRAME ASSEMBLIES				
-	131573	FRAME, End, Right (Welded Assembly)	-	1
1	131574	FRAME, End, Left (Welded Assembly)	-	1
-	131110	FRAME, End, Right (Welded Assembly)	1	-
-	131111	FRAME, End, Left (Welded Assembly)	1	-
2	131126	PIN, 1/2" x 3-1/2" Drld. } End Frame to Center Frame Hinge	4	4
3	72037-S7-8	COTTER PIN, 3/16" x 1" }	4	4
4	131129	TOOTH, Weeder	30	42
5	131577	ANGLE, Tooth Clamping	-	6
-	131125	ANGLE, Tooth Clamping	6	-
6	23395-S7-8	BOLT, 3/8" - 16 x 7/8" Carr. } Angle and Tooth to End Frame	30	30
7	34807-S7-8	LOCKWASHER, 3/8" }		
8	300014	NUT, 3/8" - 16 Hex. }		